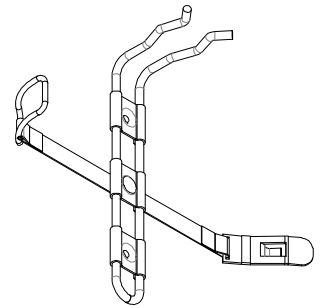
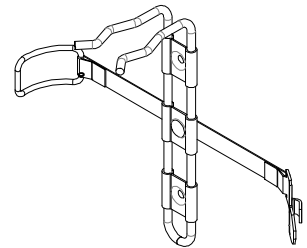
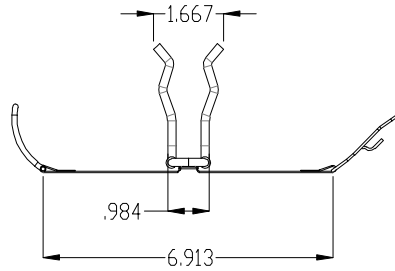
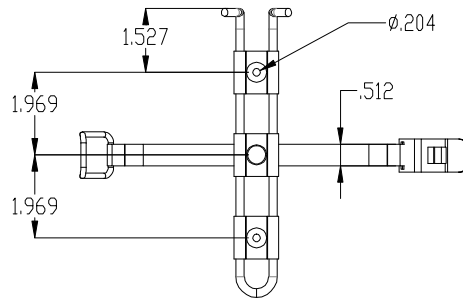
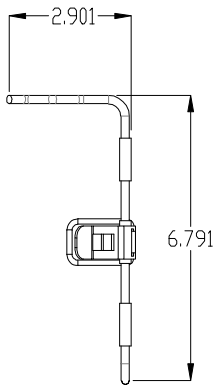


CONFIDENTIAL

REVISIONS

Num.	Description	Dwn	Chk'd	Ret'd	Date



Matt:

Tolerances:	.XXX	.005
X	.015	Fract. $\frac{1}{16}$
.XX	.010	Angl. $\frac{1}{2}^\circ$

Drawing #: NAI-2015-035

Dwg By: Peter Nauth

PROPERTY AND CONFIDENTIAL
THE INFORMATION CONTAINED IN THIS
DRAWING IS THE SOLE PROPERTY OF
NAUTH INDUSTRIES INC.
ANY REPRODUCTION IN WHOLE OR IN PART
WITHOUT THE WRITTEN PERMISSION OF
NAUTH INDUSTRIES INC. IS PROHIBITED

Chkd By:



Nauth Industries Inc
100-H Hymus Pointe Circle, Co #1011-1054
www.nauthindustries.com

Part: Wall Bracket

Model: M-400

Date: Sept. 21, 2015

Revisions:

Scale: 1:1

Size: A